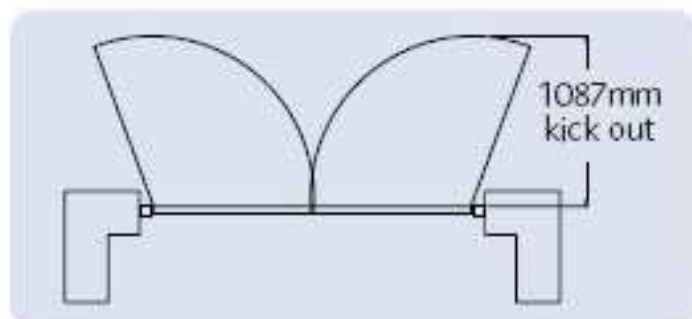


BRICKWORK APERTURE SIZES FOR FRAMES FITTED WITHIN THE OPENING

Size code	Door size width x height	Timber frame (70x70mm)
		Aperture width x height
6666	1981 x 1981mm	2127 x 2054mm
6670	1981 x 2134mm	2127 x 2207mm
7066	2134 x 1981mm	2280 x 2054mm
7070	2134 x 2134mm	2280 x 2207mm
7666	2286 x 1981mm	2432 x 2054mm
7670	2286 x 2134mm	2432 x 2207mm
8066	2438 x 1981mm	2584 x 2054mm
8070	2438 x 2134mm	2584 x 2207mm

OPENING ARC OF TRAVEL

CARDALE 2134mm [7'0"]
CLASSIC SIDE HINGED
DOORS



STANDARD DOOR AND BRICKWORK APERTURE SIZES

- Door sizes given are for opening sizes within the frame.
- Aperture sizes include a 3mm gap between the frame and the brickwork on all three sides to allow for coursing and tolerances.

FITTING THE FRAMES TO THE BRICKWORK

Frames should be fitted within the brickwork as per the drawing shown below:

